



AC LIGHTING TECHNOLOGY LIMITED

# IP40/IP65 LED Line Lamps



IP65



0.6m/1.2m/1.5m as option

---

AC LIGHTING TECHNOLOGY LIMITED

0086-755-28319552 [www.ac-ledlight.com](http://www.ac-ledlight.com) [www.ac-ledlighting.com](http://www.ac-ledlighting.com) [sales01@ac-ledlight.com](mailto:sales01@ac-ledlight.com)

ADD:4F, Bldg C, Nanbugangtai xinglong Industrial park, Xixiang Town, Bao'an District, Shenzhen, Guangdong Province, China





## Products advantages:

### LEDs features:

2835 SMD LEDs, Edison LED chip, high brightness, lower light decay, safety working current to ensure long life span of LED. LM-90certified.

### Driver features:

Driver is specially for LED lights, AC / DC power supply, high power factor, suitable for global AC voltage. Products with overload protection, output short circuit protection, output overvoltage protection. Products with elegant appearance, smart and small size, high efficiency and low noise. Primary and secondary driver are isolated, high isolation voltage to ensure safety use.

### Heat sink features:

6063 aerospace aluminum, thermal performance, small, wear-resisting property, more energy efficient.

### Energy saving:

48W LED linear light can replace 90W fluorescent tube directly, 75% energy-saving.



## AC-LL60-20W-B IP40/IP65



### Description:

Model No.	AC-LL60-20W-B IP40/IP65
Actual Size	600x80x85mm
LED Source	168PCS SMD LED 2835
Power	20W
Color Temp	Warm White: 2800-3500K Neutral White: 4000-4500K Daylight White: 5000-5500K Pure White: 6000-6500K Cool White: 6500-7000K
Luminous (lm)	1800 ± 10%LM
Lighting effect	>90LM/W
CRI	80-85Ra
P.F	>0.95
Input Voltage	AC85-265V 50/60Hz
Output Voltage	DC30-40V
Work Temp	-20~80°C
Main Material	Aluminum housing , PC cover
Frame color	White, silver
Lifespan	More than 35000H
Warranty	3Year
Certification	ROHS、CE、FCC



## AC-LL120-48W-B IP40/IP65

### Description:

Model No.	AC-LL120-48W-B IP40/IP65
Actual Size	1200x80x85mm
LED Source	336PCS SMD LED 2835
Power	48W
Color Temp	Warm White: 2800-3500K Neutral White: 4000-4500K Daylight White: 5000-5500K Pure White: 6000-6500K Cool White: 6500-7000K
Luminous (lm)	3600 ± 10%LM
Lighting effect	>90LM/W
CRI	80-85Ra
P.F	>0.95
Input Voltage	AC85-265V 50/60Hz
Output Voltage	DC30-40V
Work Temp	-20~80°C
Main Material	Aluminum housing , PC cover
Frame color	White, sliver
Lifespan	More than 35000H
Warranty	3Year
Certification	ROHS、CE、FCC



## AC-LL150-60W-B IP40/IP65

### Description:

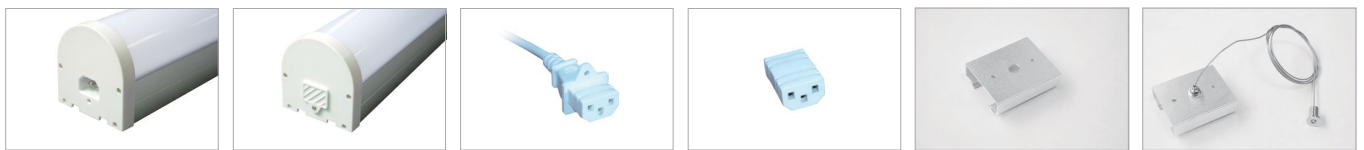
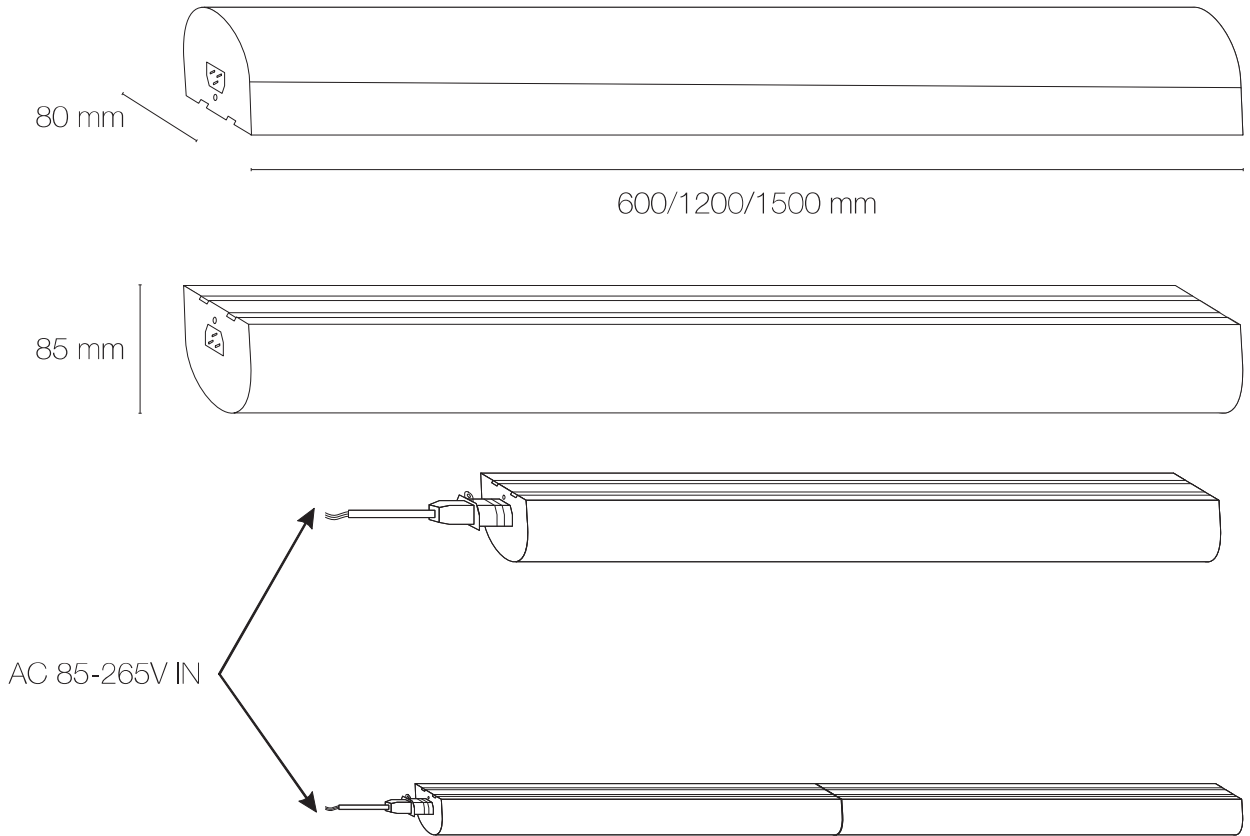
Model No.	AC-LL150-60W-B IP40/IP65
Actual Size	1500x80x85mm
LED Source	456PCS SMD LED 2835
Power	60W
Color Temp	Warm White: 2800-3500K Neutral White: 4000-4500K Daylight White: 5000-5500K Pure White: 6000-6500K Cool White: 6500-7000K
Luminous (lm)	5400 ± 10%LM
Lighting effect	>90LM/W
CRI	80-85Ra
P.F	>0.95
Input Voltage	AC85-265V 50/60Hz
Output Voltage	DC30-40V
Work Temp	-20~80°C
Main Material	Aluminum housing , PC cover
Frame color	White, sliver
Lifespan	More than 35000H
Warranty	3Year
Certification	ROHS、CE、FCC



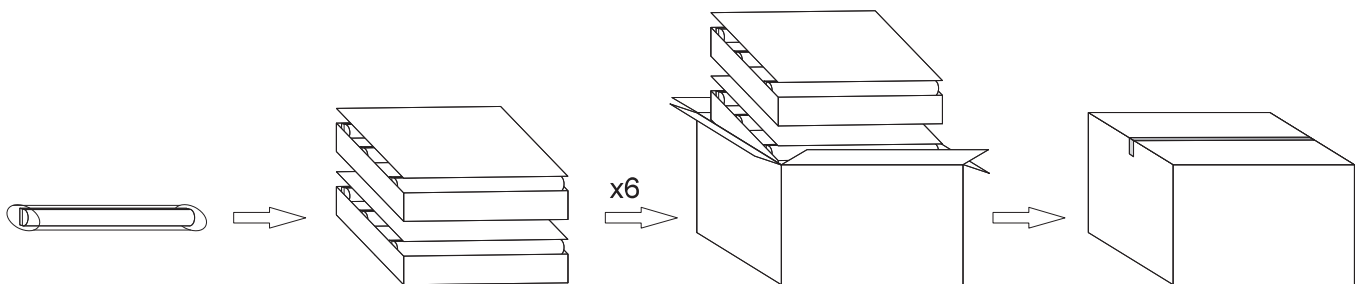
AC LIGHTING TECHNOLOGY LIMITED

# IP40/IP65 LED Line Lamps

Size:



Package:



AC-LL60-20W-B IP40/IP65  
Outer Carton: 87\*35\*33cm

AC-LL120-40W-B IP40/IP65  
Outer Carton: 147\*35\*33cm

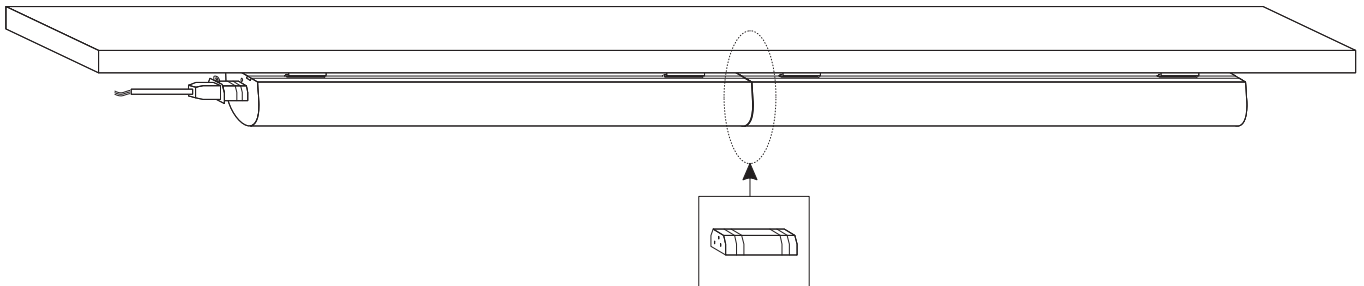
AC-LL150-60W-B IP40/IP65  
Outer Carton: 178\*35\*33cm

## Installation Instructions

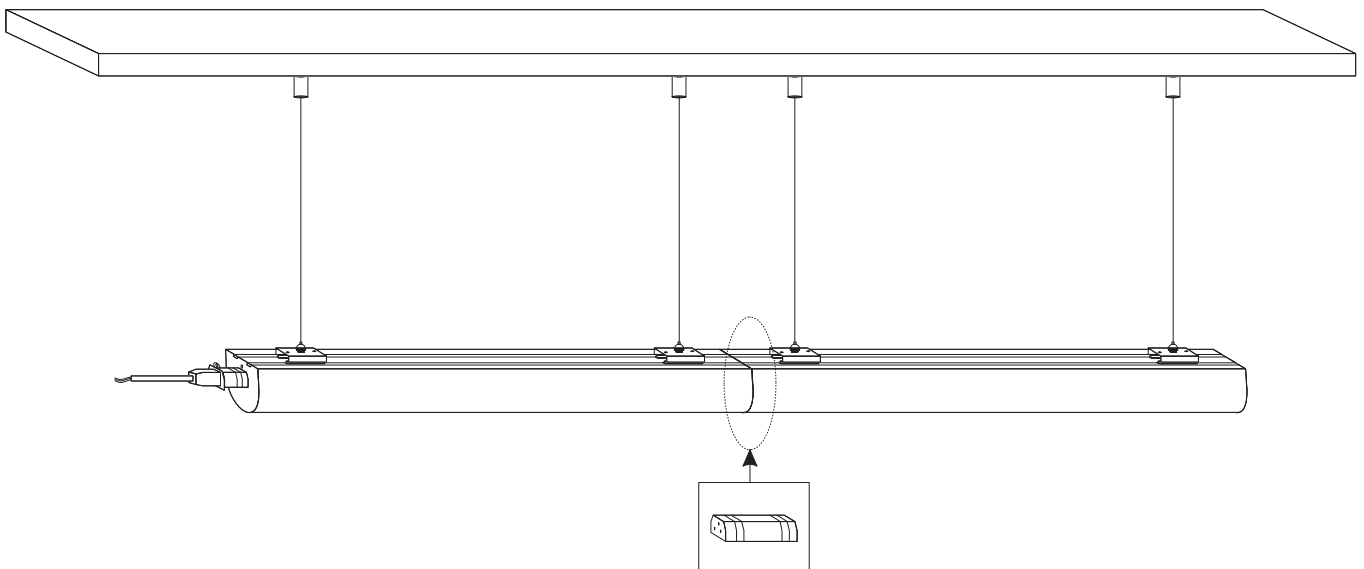
### Install The Matters Needing Attention

1. Only professional electrician can install the lamp.
2. Check the lamp very carefully before installation.
3. Install the lamp follow up the installation procedure, make sure all parts safe.
4. Please request after service if trouble or doubt.

### Mounted



### Suspending





## Application Scenarios

1. Conference/Meeting rooms, Classrooms
2. Offices, Hospitals, Factories
3. Hotels, Offices or other Commercial Complexes
4. Residential/Institution Buildings
5. Places where energy saving and high color rendering index are needed

