



AC LIGHTING TECHNOLOGY LIMITED

IP67 LED Tri-Proof Light E Series Specification



AC LIGHTING TECHNOLOGY LIMITED

0086-755-28319552 www.ac-ledlight.com www.ac-ledlighting.com sales01@ac-ledlight.com

ADD:4F, Bldg C, Nanbugangtai xinglong Industrial park, Xixiang Town, Bao'an District, Shenzhen, Guangdong Province, China



AC LIGHTING TECHNOLOGY LIMITED

IP67 LED Tri-Proof Light E Series Specification





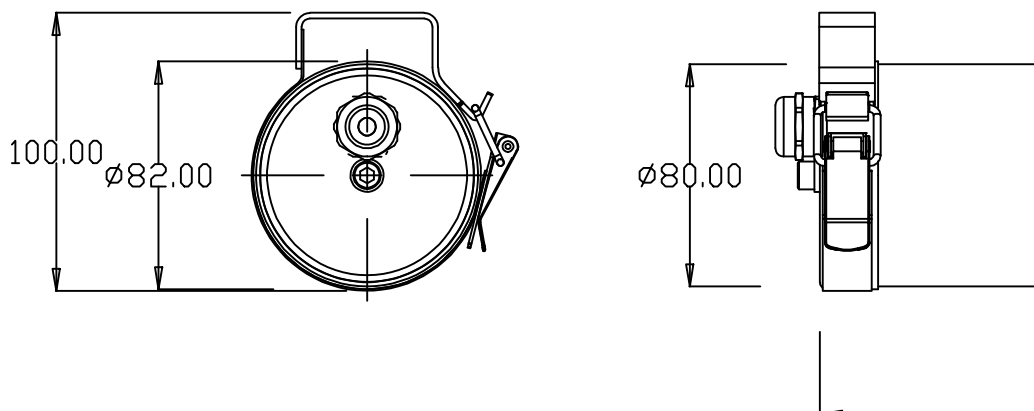
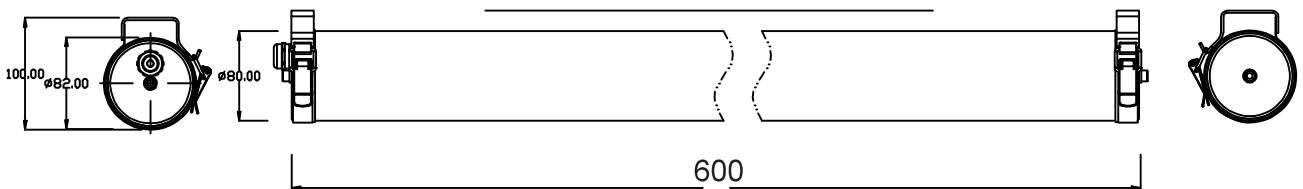
Product Features::

- Unique design that can replace traditional fixture lamp, IP67 for outdoor, CE/RoHS/ETL/DLC certification.
- Special made by PC that can fireproofing ,Water-Proof and Dust Proof.
- Excellent transmission of light and thermal conductivity
- High lumious efficiency >110LM/W
- Long lifespan 50,000 hours
- Energy saving up to 80%
- 3 years warranty

AC-LL60-20W-E-IP67

Description:

Model	
Power	20W
Luminous flux	2500-2700lm
Power factor (P.F.)	>0.95
Driver brand	Lifud
Color temperature	3000K ,4000K ,6000K
CRI	>80Ra
Input voltage	AC220-240V / AC100-277V
LED source	Edison SMD2835
Lighting effect	>125 lm/w
Lamp body color	Milky, Transparent
IP rate	IP67
Beam angle	120°
Housing material	PC
Working temperature	-20°C~+50°C
Lifetime	50000 hrs
Warranty time	3 years
Packaging	6pcs/Carton,72.5*27.6*42.5CM

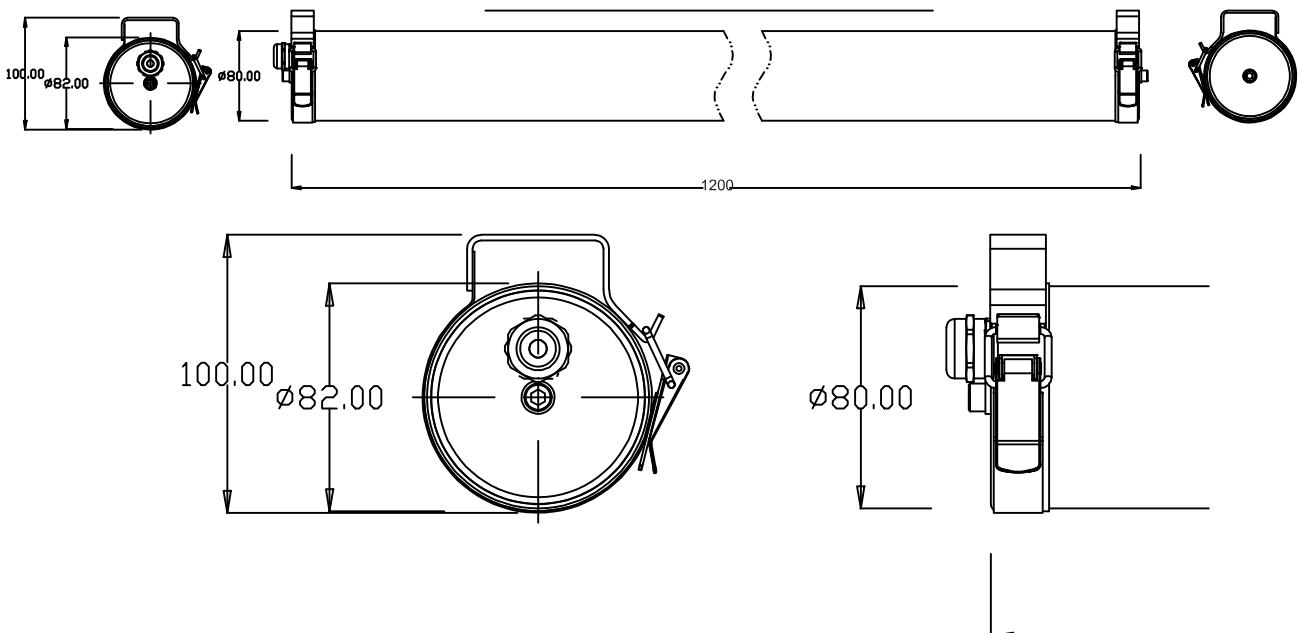




AC-LL120-40W-E-IP67

Description:

Model	
Power	40W
Luminous flux	5100-5300lm
Power factor (P.F.)	>0.95
Driver brand	Lifud
Color temperature	3000K,4000K,6000K
CRI	>80Ra
Input voltage	AC220-240V / AC100-277V
LED source	Edison SMD2835
Lighting effect	>125 lm/w
Lamp body color	Milky, Transparent
IP rate	IP67
Beam angle	120°
Housing material	PC
Working temperature	-20°C~+50°C
Lifetime	50000 hrs
Warranty time	3 years
Packaging	6pcs/Carton,132.5*27.6*42.5CM

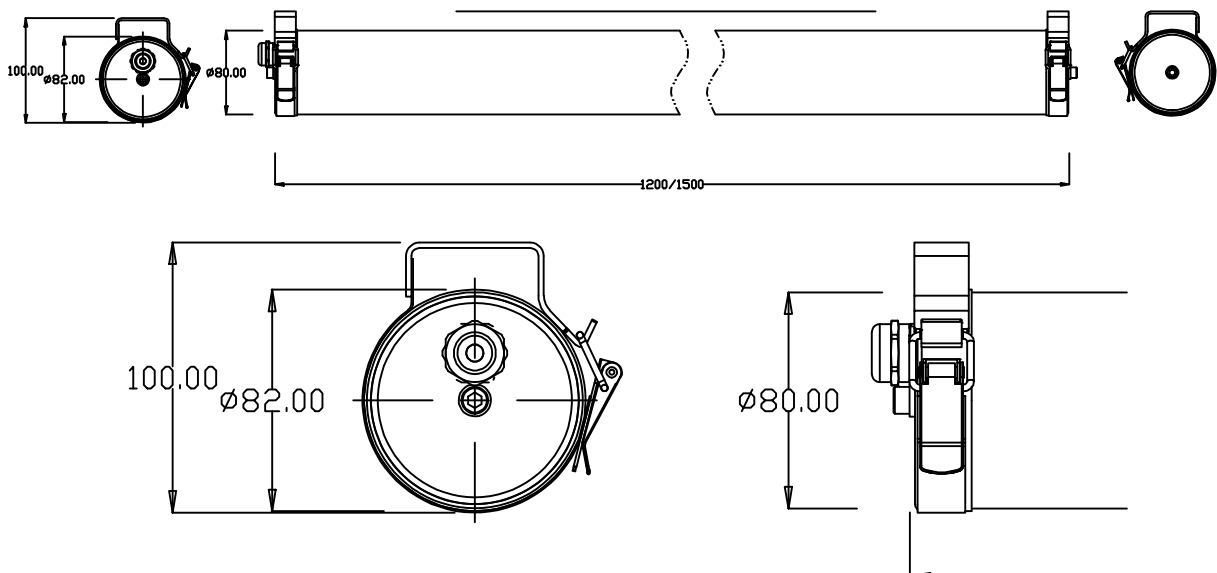




AC-LL150-60W-E-IP67

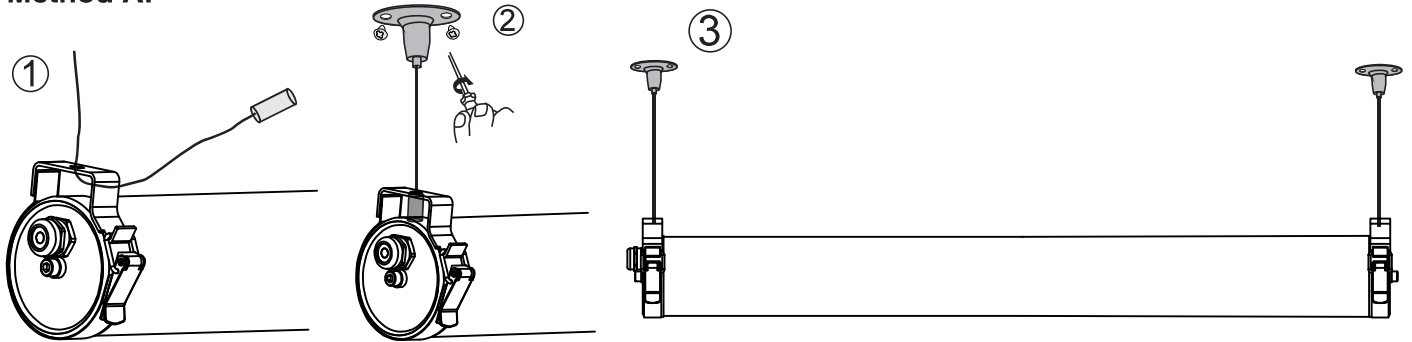
Description:

Model	
Power	60W
Luminous flux	7600-7800LM
Power factor (P.F.)	>0.95
Driver brand	Lifud
Color temperature	3000K,4000K,6000K
CRI	>80Ra
Input voltage	AC220-240V / AC100-277V
LED source	Edison SMD2835
Lighting effect	>125 lm/W
Lamp body color	Milkly, Transparent
IP rate	IP67
Beam angle	120°
Housing material	PC
Working temperature	-20°C~+50°C
Lifetime	50000 hrs
Warranty time	3 years
Packaging	6PCS/Carton, 152.5*27.6*42.5CM

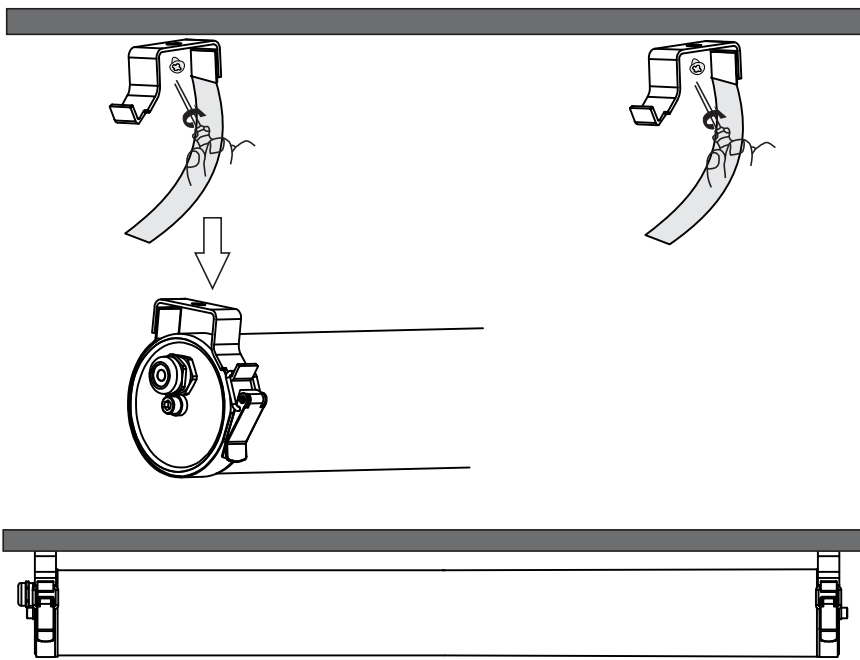


Installation Instructions

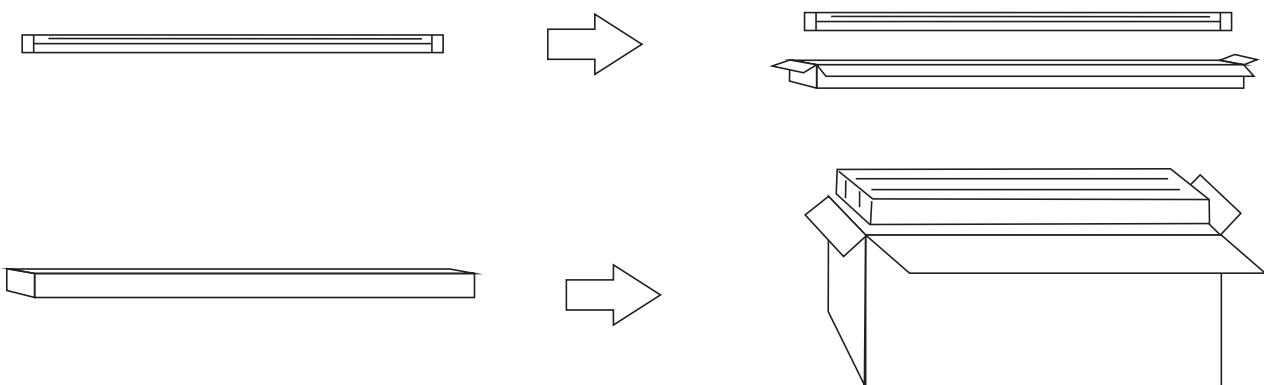
Method A:



Method B:



Package Instruction





AC LIGHTING TECHNOLOGY LIMITED

**IP67 LED Tri-Proof Light E Series
Specification**

Application Scenarios

Gymnasium ,Building,Factory,Warehouse
Supermarket,Garage Lighting,Workshop
Storage Lighting,Court,Station

